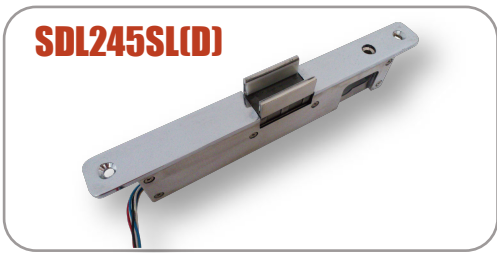
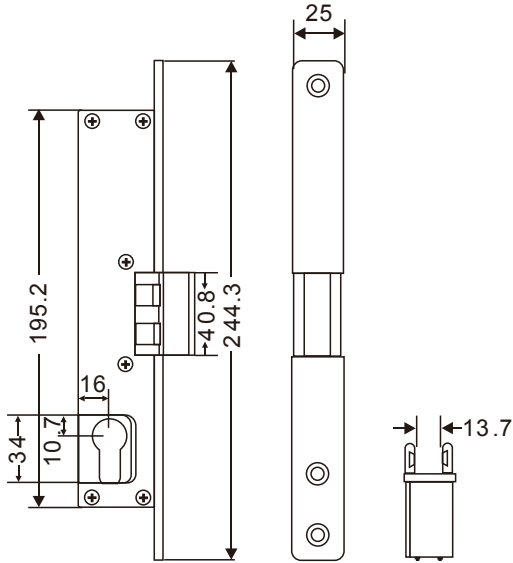


FRAMLESS SERIES



SDL245SL(D)

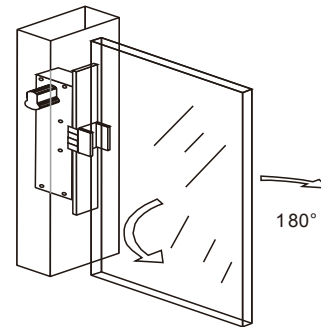
SDL245SLD DIMENSION



General Feature

- ★ DIMENSIONS:
DEL245SL: 245mmLx25mmWx41mmD
- ★ Mode:
DEL245SL Double-swing glass door (dual mode) fail secure w/lock sensor
DEL245SLD Double-swing glass door(dual mode) w/lock & door sensor
- ★ Glass thickness: 8~12mm
- ★ Current: 300mA/12VDC / 150mA/24VDC
- ★ Fail Safe/Fail Secure:
Site convertible from one mode to the other (Fail secure default, unless specify on order)
- ★ Option:
Lock Cylinder for Emergency opening in Fail Secure Mode
- ★ Application:
1. Application to frameless glass door only
2. Bi-directional locking function

INSTALLATION

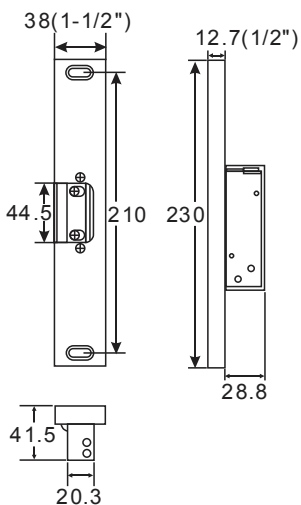


DUAL MODE



DEL3310

DEL3310 DIMENSION



General Feature

- ★ DIMENSIONS:
DEL3310: 230mmLx37mmWx37mmD
Voltage: 12V or 24VDC/AC
Mode: Stainless steel face plate fail secure w/door, lock sensor
- ★ Current:
280mA/12VDC or 140mA/24VDC (specify on order)
170mA/12VAC or 85mA/24VAC (specify on order)
- ★ Door Latch: 1/2" (12.7mm)
- ★ Site convertible from one mode to the other (Fail secure default, unless specify on order)

INSTALLATION

