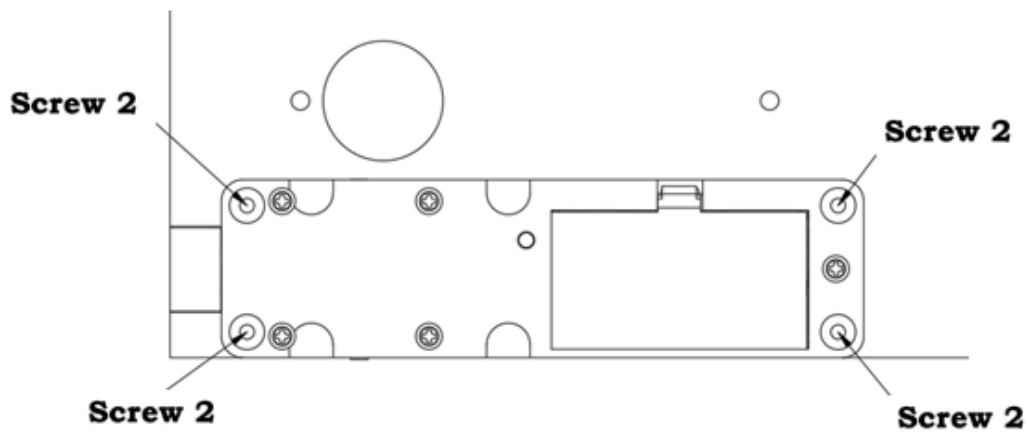


Installation Instructions

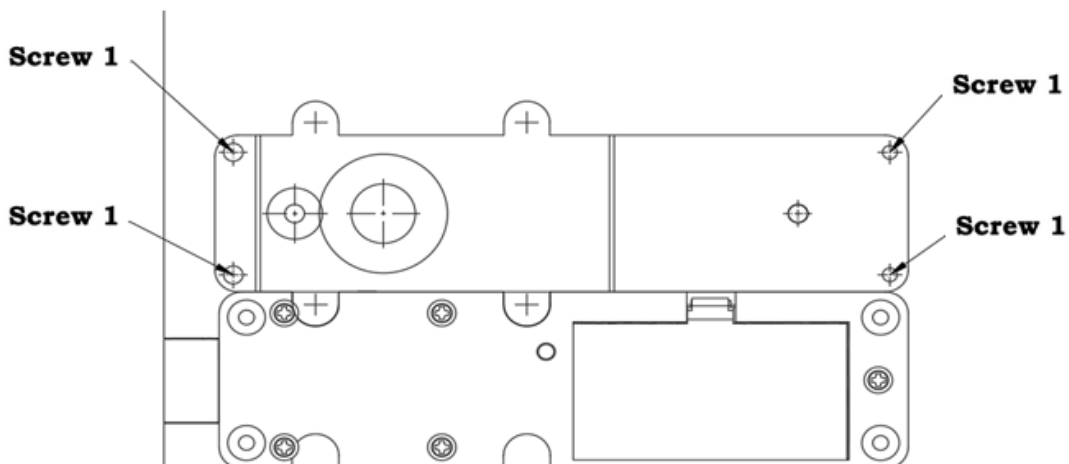
CL102B Bluetooth Cabinet Lock



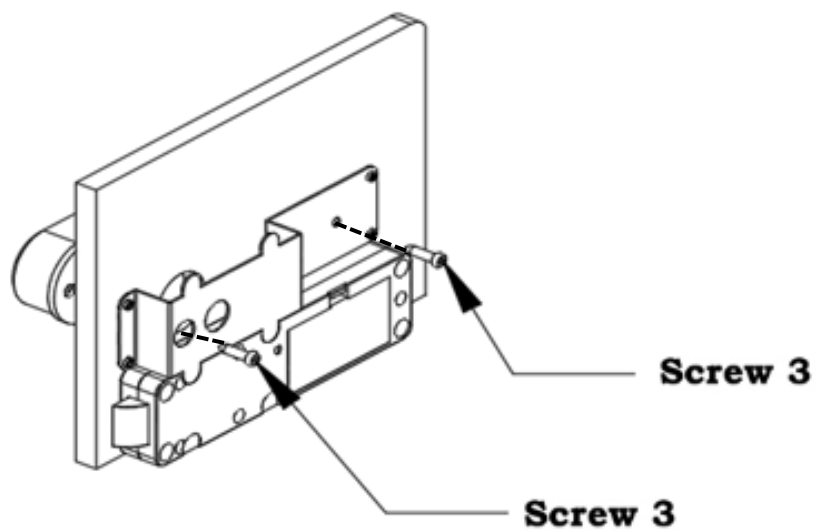
1. Place the supplied template on door.
2. Drill the necessary holes according to the template.
3. Mount the interior assembly to the door using supplied 4 pcs **screw 2**.



4. Use 4 pcs **screw 1** to assemble mounting plate and interior assembly.



5. Use 2 pcs **screw 3** to assemble exterior assembly and mounting plate.



6. Use 2 pcs **screw 1** to mount strike box.